

3 Series

TOP PLATE Swivel & Rigid
Capacity up to 400 lbs each



www.ColsonCaster.com



Consult factory for RoHS requirements on a part specific basis.

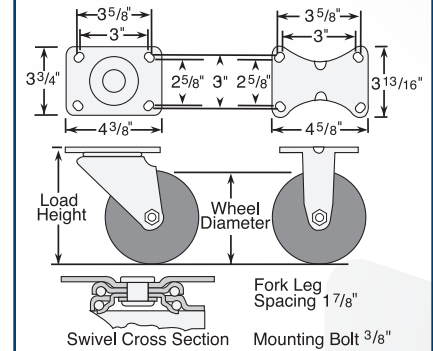
Consult the NSF listing page on a part specific basis for NSF requirements.

Features

- Zinc plated finish is attractive and durable
- Full double ball hardened raceways for better performance and greater durability
- 3/8" hollow axle with lock nut
- Permanent rivet kingpin construction
- Reinforcing washer on upper & lower raceway for swivel models
- Grease holes: wheel bearing
- "Colson 45" multi-temp grease lubricates in extreme hot and cold temperatures
- .164" steel top plate



Standard Dimensions



Caster Brake



Top Lock
(See page 87) Available on all swivel models. Field installable (Specify **BRK1**; Example: 3.00517.449 BRK1).

Fork / Wheel Options

NSF Listed For Food Service Industry
Consult factory for details.

Swivel Dust Cap
(See page 90) (Specify **DC1**; Example: 3.00517.449 DC1).

Forks Only
To order caster forks only use 1st 6 digits of model numbers (Example: 3.00317).

Thread Guards
(See page 98) Available on many models (Specify **TG1** for metal; Example: 3.00517.909 TG1).

Axle/Nut Options
Consult factory.

Lube Options
Consult factory.

Wheel Selection

Perma Flat Tread



Perma Conductive



Polyolefin



Polyurethane HI-TECH



See the Perma Advantage on Page 55.

Phenolic



Cast Iron



Maxim



Thermo



Colson 3 Series Casters • Top Plate Swivel & Rigid • Capacity to 400 lbs

Wheel Dia.	Tread Width	Capacity Each (Pounds)	Wheel Descriptions	Swivel Top Plate Roller Bearing Caster Models	Rigid Top Plate Roller Bearing Caster Models	Optional Bearings (Consult Factory)	Load Height	Swivel Radius	Weight (Pounds)
3"	1 1/2"	250	Performa Rubber (Flat/Grey)	3.00317.449	3.00308.449	Delrin, PPBB	4 1/2"	3 1/8"	3
		300	Polyolefin	3.00317.809	3.00308.809	Delrin, Plain, PPBB	4 1/2"	3 1/8"	2 3/4
			Polyurethane HI-TECH	3.00317.909	3.00308.909	Delrin, PPBB	4 1/2"	3 1/8"	3
		400	Phenolic	3.00317.309	3.00308.309	Delrin, PPBB	4 1/2"	3 1/8"	2 3/4
			Cast Iron	3.00317.109	3.00308.109	Delrin, PPBB	4 1/2"	3 1/8"	4 1/4
			Thermo	3.00317.819 HT	3.00308.819 HT	Plain, Bronze	4 1/2"	3 1/8"	2 3/4
4"	1 1/2"	255	Performa Rubber (Conductive/Flat)	3.00417.449 COND	3.00408.449 COND	PPBB	5 3/8"	3 5/8"	3 1/2
		325	Performa Rubber (Flat/Grey)	3.00417.449	3.00408.449	Delrin, PPBB	5 3/8"	3 5/8"	3 1/2
		375	Polyolefin	3.00417.809	3.00408.809	Delrin, Plain, PPBB	5 3/8"	3 5/8"	3
		400	Maxim	3.00417.509	3.00408.509	Delrin, Bronze, PPBB	5 3/8"	3 5/8"	3 1/4
			Polyurethane HI-TECH	3.00417.909	3.00408.909	Delrin, PPBB	5 3/8"	3 5/8"	3 1/4
			Phenolic	3.00417.309	3.00408.309	Delrin, PPBB	5 3/8"	3 5/8"	3 1/4
			Cast Iron	3.00417.109	3.00408.109	Delrin, PPBB	5 3/8"	3 5/8"	4 1/2
		Thermo	3.00417.819 HT	3.00408.819 HT	Plain, Bronze	5 3/8"	3 5/8"	3	
5"	1 1/2"	280	Performa Rubber (Conductive/Flat)	3.00517.449 COND	3.00508.449 COND	PPBB	6 3/8"	4 1/8"	3 1/2
		350	Performa Rubber (Flat/Grey)	3.00517.449	3.00508.449	Delrin, PPBB	6 3/8"	4 1/8"	3 1/2
		400	Polyolefin	3.00517.809	3.00508.809	Delrin, Plain, PPBB	6 3/8"	4 1/8"	3 1/4
			Polyurethane HI-TECH	3.00517.909	3.00508.909	Delrin, PPBB	6 3/8"	4 1/8"	3 1/2
			Phenolic	3.00517.309	3.00508.309	Delrin, PPBB	6 3/8"	4 1/8"	3 1/4
			Cast Iron	3.00517.109	3.00508.109	Delrin, PPBB	6 3/8"	4 1/8"	5
Thermo	3.00517.819 HT	3.00508.819 HT	Plain, Bronze	6 3/8"	4 1/8"	3 1/4			
6"	1 1/2"	300	Performa Rubber (Conductive/Flat)	3.00617.449 COND	3.00608.449 COND	PPBB	7 3/8"	4 5/8"	3 3/4
		375	Performa Rubber (Flat/Grey)	3.00617.449	3.00608.449	Delrin, PPBB	7 3/8"	4 5/8"	3 3/4
		400	Polyolefin	3.00617.809	3.00608.809	Delrin, Plain, PPBB	7 3/8"	4 5/8"	3
			Polyurethane HI-TECH	3.00617.909	3.00608.909	Delrin, PPBB	7 3/8"	4 5/8"	3 3/4
			Phenolic	3.00617.309	3.00608.309	Delrin, PPBB	7 3/8"	4 5/8"	3 3/4
		Cast Iron	3.00617.109	3.00608.109	Delrin, PPBB	7 3/8"	4 5/8"	6	

Bearing Options

Wheels feature roller bearings in above chart. Consult factory for ordering details.



Roller Bearing

Metal cage roller bearing. (Specify **WB29**). (Example: 3.00317.449 WB29).



Delrin Bearings

For standard two-piece bearing change 9th digit to "1" (Example: 3.00317.441).

One-piece with steel thrust washers (Specify **WB11**; Example: 3.00317.441 WB11).



Pedestal Precision Ball Bearing (PPBB)

To order change 9th digit to "5" (Example: 3.00317.445).



Bronze

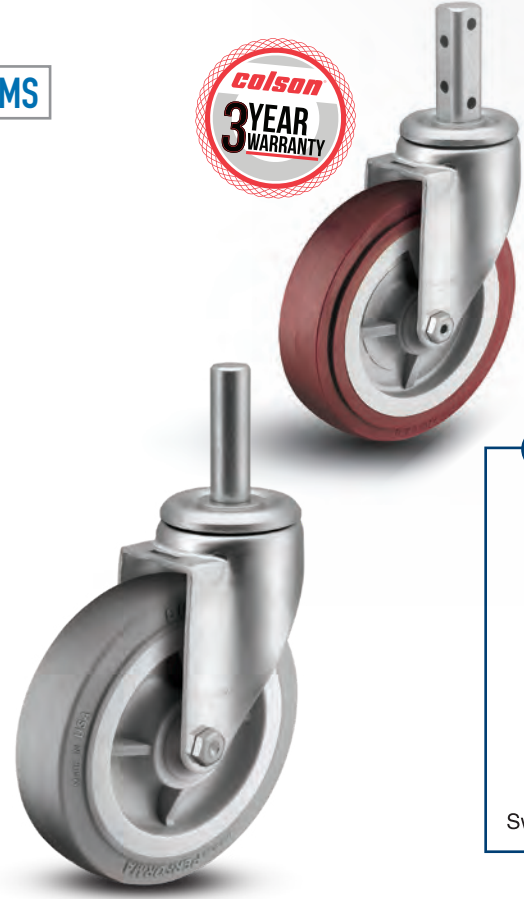
To order, change the 9th digit in model number to "4" (Example: 3.00317.814 HT).

3 Series

3 Series

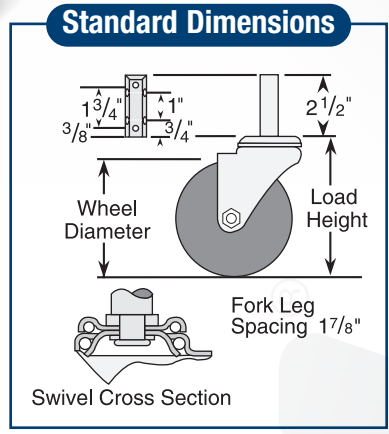
SQUARE OR ROUND STEMS

Capacity up to **400 lbs each**



- ### Features
- Zinc plated finish is attractive and durable
 - Full double ball hardened raceways for better performance and greater durability
 - 3/8" hollow axle with lock nut
 - Permanent rivet kingpin construction
 - Reinforcing washer on upper & lower raceway
 - Grease holes: wheel bearing
 - "Colson 45" multi-temp grease lubricates in extreme hot and cold temperatures

- ### Standard Mounting
- **Square Stem:** Four 17/64" diameter holes are drilled in square stem, two per side. 2 1/2" long x 7/8" square



Caster Brake



Top Lock
 (See page 87) Available on all swivel models. Field installable (Specify **BRK1**; Example: 3.00514.109 MTG7 BRK1).

Wheel Selection



See the Performa Advantage on Page 55.

Fork / Wheel Options

NSF Listed For Food Service Industry
 Consult factory for details.

(See page 90) (Specify **DC1**; Example: 3.00514.449 DC1).

Forks Only
 To order caster forks only use 1st 6 digits of model numbers (Example: 3.00314).

Thread Guards
 (See page 98) Available on many models (Specify **TG1** for metal; Example: 3.00514.909 TG1).

Axle/Nut Options
 Consult factory.

Lube Options
 Consult factory.

Mounting Options

Square Stem
Standard Mounting (no code necessary):
 Four 17/64" diameter holes are drilled in square stem, two per side. 2 1/2" long x 7/8" square.

Round Stem
MTG7: 2 1/2" long x 3/4" diameter
MTG9: 2 1/2" long x 7/8" diameter
MTG11: 2 1/2" long x 1" diameter

To order with optional round stem, add mounting code to Square Stem Caster Models number (Example: 3.00314.449 MTG7).

Colson 3 Series Casters • Round or Square Stem • Capacity to 400 lbs

Wheel Dia.	Tread Width	Capacity Each (Pounds)	Wheel Descriptions	Square Stem Roller Bearing Models*	Optional Bearings (Order info below chart)	Load Height	Swivel Radius	Weight (Pounds)
3"	1 1/2"	250	Performa Rubber (Flat/Grey)	3.00314.449	Delrin, PPBB	4 5/16"	3 1/8"	2 1/2
		300	Polyolefin	3.00314.809	Delrin, PPBB	4 5/16"	3 1/8"	2 1/2
			Polyurethane HI-TECH	3.00314.909	Delrin, PPBB	4 5/16"	3 1/8"	2 1/2
			Phenolic	3.00314.309	Delrin, PPBB	4 5/16"	3 1/8"	2 1/2
		400	Cast Iron	3.00314.109	Delrin, PPBB	4 5/16"	3 1/8"	3 3/4
			Thermo	3.00314.819 HT	Plain, Bronze	4 5/16"	3 1/8"	2 1/2
4"	1 1/2"	255	Performa Rubber (Conductive/Flat)	3.00414.449 COND	PPBB	5 3/16"	3 5/8"	2 2/3
		325	Performa Rubber (Flat/Grey)	3.00414.449	Delrin, PPBB	5 3/16"	3 5/8"	2 2/3
		375	Polyolefin	3.00414.809	Delrin, PPBB	5 3/16"	3 5/8"	2 3/4
		400	Maxim	3.00414.509	Delrin, Bronze, PPBB	5 3/16"	3 5/8"	2 3/4
			Polyurethane HI-TECH	3.00414.909	Delrin, PPBB	5 3/16"	3 5/8"	2 3/4
			Phenolic	3.00414.309	Delrin, PPBB	5 3/16"	3 5/8"	2 3/4
			Cast Iron	3.00414.109	Delrin, PPBB	5 3/16"	3 5/8"	4
			Thermo	3.00414.819 HT	Plain, Bronze	5 3/16"	3 5/8"	2 3/4
5"	1 1/2"	280	Performa Rubber (Conductive/Flat)	3.00514.449 COND	PPBB	6 3/16"	3 7/8"	3
		350	Performa Rubber (Flat/Grey)	3.00514.449	Delrin, PPBB	6 3/16"	3 7/8"	3
		400	Polyolefin	3.00514.809	Delrin, PPBB	6 3/16"	3 7/8"	3
			Polyurethane HI-TECH	3.00514.909	Delrin, PPBB	6 3/16"	3 7/8"	3
			Phenolic	3.00514.309	Delrin, PPBB	6 3/16"	3 7/8"	3
			Cast Iron	3.00514.109	Delrin, PPBB	6 3/16"	3 7/8"	4 1/2
			Thermo	3.00514.819 HT	Plain, Bronze	6 3/16"	3 7/8"	3
6"	1 1/2"	300	Performa Rubber (Conductive/Flat)	3.00614.449 COND	PPBB	7 3/16"	4 5/8"	4
		375	Performa Rubber (Flat/Grey)	3.00614.449	Delrin, PPBB	7 3/16"	4 5/8"	4
		400	Polyolefin	3.00614.809	Delrin, PPBB	7 3/16"	4 5/8"	3 1/2
			Polyurethane HI-TECH	3.00614.909	Delrin, PPBB	7 3/16"	4 5/8"	3 1/2
			Phenolic	3.00614.309	Delrin, PPBB	7 3/16"	4 5/8"	3 1/2
			Cast Iron	3.00614.109	Delrin, PPBB	7 3/16"	4 5/8"	5 3/4

*To order with optional round stem, add mounting code to Square Stem Caster Models number (Example: 3.00314.449 MTG7).

Bearing Options

Wheels feature roller bearings in above chart. To order optional bearings, see information to the right. Consult factory for ordering details.



Roller Bearing
Metal cage roller bearing. (Specify **WB29**).
(Example: 3.00314.449 WB29).



Delrin Bearings
For standard two-piece bearing change 9th digit to "1"
(Example: 3.00314.441).
One-piece with steel thrust washers (Specify **WB11**;
Example: 3.00314.441 WB11).



Pedestal Precision Ball Bearing (PPBB)
To order change 9th digit to "5"
(Example: 3.00314.445).



Bronze
To order, change the 9th digit in model number to "4"
(Example: 3.00314.814 HT).

3 Series