

4 Series

Capacity up to **1250 lbs each**
Standard 2" tread width

TOP PLATE Swivel & Rigid



Consult factory for RoHS requirements on a part specific basis.

Consult the NSF listing page on a part specific basis for NSF requirements.



Features

- All caster forks and many wheels USA-made for highest quality and quick delivery (see [USA](#))
- Attractive zinc plated finish
- Full double ball hardened raceways
- 1/2" hollow axle with grease zerk and lock nut
- Plastic seal/retainer washer (roller bearing models)
- 1/4" steel top plate for durability
- Permanent rivet kingpin with 5/8" diameter rivet
- Grease fittings: wheel bearing and swivel raceway
- "Colson 45" multi-temp grease lubricates in extreme hot and cold temperatures

Fork / Wheel Options

NSF Listed For Food Service Industry
Consult factory for details.

Forks Only

To order caster forks only use 1st 6 digits of model numbers (Example: 4.04109).



Foot Activated Swivel Lock

(See page 90) Available on all swivel casters with standard top plate (Specify **MTG81**; Example: 4.06109.839 EN MTG81).



Hand Activated Swivel Lock

(See page 90) Available on all swivel casters in Bolt-On or Welded design.

DirtBan Swivel Seal

(See page 98) Not available on swivel lock models (Specify **SEAL**; Example: 4.06109.459 SEAL).

Thread Guards

(See page 98) Available on many models (Specify **TG1** for metal or **TG2** for plastic; Example: 4.06109.459 TG2).

Load Height Option

6" dia. models with 7 1/4" load height. Only Side Lock brakes (Specify **LH7.25**; Example: 4.06109.459 LH7.25).

Axle/Nut Options

Consult factory.

Lube Options

Consult factory.

Caster Brake



Tread Lock

(See page 89) Available on all swivel casters except 3 1/4" diameter and V-Groove models (Specify **BRK1**; Example: 4.06109.929 BRK1).



Tech Lock®

(See page 88-89) Available on all swivel casters except 3 1/4" diameter, V-Groove and Swivel Lock models. 6" rigid model available (Specify **BRK2**; Example: 4.06109.H59 BRK2).



Side Lock

(See page 88) Available on all swivel roller bearing or one piece Delrin models except 3 1/4" diameter (Specify **BRK3**; Example: 4.06109.459.2 BRK3).



Total Lock

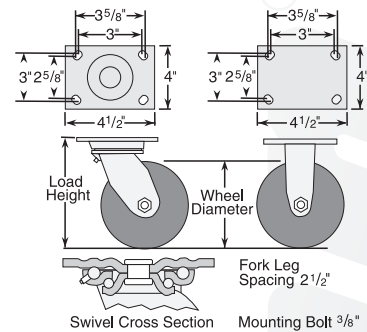
(See page 89) Available on 4", 5", 6" & 8" swivel models except 3 1/4" diameter and V-Groove wheels (Specify **BRK4**; Example: 4.06109.228 BRK4).



Top Lock

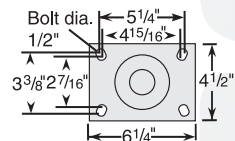
(See page 88) Available on 4", 5", 6" and 8" swivel models except V-Groove (Specify **BRK7**; Example: 4.06109.5F9 BRK7).

Standard Dimensions

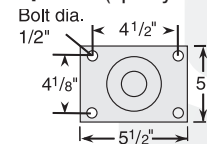


Optional Top Plates

#2 Top Plate (Specify MTG2).



#4 Top Plate (Specify MTG4).



To order optional top plate, add mounting code to Caster Models number (Example: 4.03109.339 MTG2).

Wheel Selection



Colson 4 Series Casters (2" tread widths) • Top Plate Swivel & Rigid • Capacity to 1250 lbs

Wheel Dia.	Tread Width	Capacity Each (Pounds)	Wheel Descriptions	Swivel Top Plate Roller Bearing Caster Models	Rigid Top Plate Roller Bearing Caster Models	Optional Bearings (Order information below chart)	Load Height	Swivel Radius	Weight lbs (Rigid Deduct 1.5 lbs)
3 1/4"	2"	700	Phenolic	4.03109.339	4.03108.339	Delrin, PPBB	5 1/4"	3 3/16"	4 3/4
			Maxim	4.03109.539	4.03108.539	Delrin, Bronze, PPBB	5 1/4"	3 3/16"	4 3/4
		300	Performa Rubber (Flat/Conductive)	4.04109.459 COND	4.04108.459 COND	PPBB	5 5/8"	3 9/16"	5 3/4
			Performa Rubber (Flat/Black)	4.04109.459.2	4.04108.459.2	Delrin, Prec. Ball, PPBB	5 5/8"	3 9/16"	5 3/4
		400	Performa Rubber (Flat/Grey)	4.04109.459	4.04108.459	Delrin, Prec. Ball, PPBB	5 5/8"	3 9/16"	5 3/4
			Performa Rubber (Round)	4.04109.559	4.04108.559	Delrin, Prec. Ball, PPBB	5 5/8"	3 9/16"	5 3/4
		500	Moldon Rubber (Cast iron core)	4.04109.649.7	4.04108.649.7	Delrin, PPBB	5 5/8"	3 9/16"	7 1/4
			Polyolefin	4.04109.839	4.04108.839	Delrin, Plain, PPBB	5 5/8"	3 9/16"	4 1/2
		600	Hydrotech Water-Resistant TPE Alloy	4.04109.HF9	4.04108.HF9	Delrin, PPBB	5 5/8"	3 9/16"	4 3/4
			Moldon Polyurethane (Aluminum core)	4.04109.939	4.04108.939	Delrin, PPBB	5 5/8"	3 9/16"	5 1/4
700	Moldon Polyurethane (Cast iron core)	4.04109.949.7	4.04108.949.7	Delrin, PPBB	5 5/8"	3 9/16"	7 1/4		
	K Solid Polyurethane	4.04109.939 KW	4.04108.939 KW	Delrin, PPBB	5 5/8"	3 9/16"	8 1/8		
4"	2"	720	Polyurethane HI-TECH	4.04109.929	4.04108.929	Delrin, Prec. Ball, PPBB	5 5/8"	3 9/16"	5 3/4
			Polyurethane Antimicrobial HI-TECH	4.04109.929G	4.04108.929G	Delrin, PPBB	5 5/8"	3 9/16"	4 3/4
		800	CG-MAX Efficiency Wheel™ (Orange)*	4.04109.9NC	4.04108.9NC	Precision Ball Standard	5 5/8"	3 9/16"	7 1/4
			CG-MAX Efficiency Wheel™ (Maroon)*	4.04109.9PC	4.04108.9PC	Precision Ball Standard	5 5/8"	3 9/16"	7 1/4
		1000	Maxim	4.04109.539	4.04108.539	Delrin, Bronze, PPBB	5 5/8"	3 9/16"	4 1/8
			Phenolic	4.04109.339	4.04108.339	Delrin, PPBB	5 5/8"	3 9/16"	5 3/4
		700	Thermo	4.04109.839 HT	4.04108.839 HT	Plain, Bronze	5 5/8"	3 9/16"	6 3/4
			V-Groove	4.04109.739	4.04108.739	Delrin, PPBB	5 5/8"	3 9/16"	8 1/8
		700	Endura Solid Elastomer	4.04109.839 EN	4.04108.839 EN	Delrin, Prec. Ball, PPBB	5 5/8"	3 9/16"	5 3/4
			Cast Iron	4.04109.139	4.04108.139	Delrin, PPBB	5 5/8"	3 9/16"	7 7/8
5"	2"	325	Performa Rubber (Flat/Conductive)	4.05109.459 COND	4.05108.459 COND	PPBB	6 1/2"	4 1/4"	6 1/8
			Moldon Rubber (Cast iron core)	4.05109.649.7	4.05108.649.7	Delrin, PPBB	6 1/2"	4 1/4"	8 1/8
		400	Performa Rubber (Round)	4.05109.559	4.05108.559	Delrin, Prec. Ball, PPBB	6 1/2"	4 1/4"	6 1/8
			Performa Rubber (Flat/Black)	4.05109.459.2	4.05108.459.2	Delrin, Prec. Ball, PPBB	6 1/2"	4 1/4"	6 1/8
		425	Performa Rubber (Flat/Grey)	4.05109.459	4.05108.459	Delrin, Prec. Ball, PPBB	6 1/2"	4 1/4"	6 1/8
			Polyolefin	4.05109.839	4.05108.839	Delrin, Plain, PPBB	6 1/2"	4 1/4"	4 7/8
		500	Hydrotech Water-Resistant TPE Alloy	4.05109.HF9	4.05108.HF9	Delrin, PPBB	6 1/2"	4 1/4"	4 3/4
			Polyurethane HI-TECH	4.05109.929	4.05108.929	Delrin, PPBB	6 1/2"	4 1/4"	4 3/4
		650	Polyurethane Antimicrobial HI-TECH	4.05109.929G	4.05108.929G	Delrin, PPBB	6 1/2"	4 1/4"	4 3/4
			CG-MAX Efficiency Wheel™ (Orange)*	4.05109.9NC	4.05108.9NC	Precision Ball Standard	6 1/2"	4 1/4"	4 3/4
750	CG-MAX Efficiency Wheel™ (Maroon)*	4.05109.9PC	4.05108.9PC	Precision Ball Standard	6 1/2"	4 1/4"	4 3/4		
	Maxim	4.05109.539	4.05108.539	Delrin, Bronze, PPBB	6 1/2"	4 1/4"	4 1/2		
900	Endura Solid Elastomer	4.05109.839 EN	4.05108.839 EN	Delrin, Prec. Ball, PPBB	6 1/2"	4 1/4"	5 3/4		
	K Solid Polyurethane	4.05109.939 KW	4.05108.939 KW	Delrin, PPBB	6 1/2"	4 1/4"	5 3/4		
6"	2"	410	Moldon Polyurethane (Aluminum core)	4.05109.939	4.05108.939	Delrin, PPBB	6 1/2"	4 1/4"	6 1/8
			Moldon Polyurethane (Cast iron core)	4.05109.949.7	4.05108.949.7	Delrin, PPBB	6 1/2"	4 1/4"	8 1/8
		450	Phenolic	4.05109.339	4.05108.339	Delrin, PPBB	6 1/2"	4 1/4"	5 3/4
			Thermo	4.05109.839 HT	4.05108.839 HT	Plain, Bronze	6 1/2"	4 1/4"	6 3/4
		600	Cast Iron	4.05109.139	4.05108.139	Delrin, PPBB	6 1/2"	4 1/4"	8 7/8
			Performa Rubber (Flat/Conductive)	4.06109.459 COND	4.06108.459 COND	PPBB	7 1/2"	5"	6 1/8
		600	Performa Rubber (Round/Conductive)	4.06109.559 COND	4.06108.559 COND	PPBB	7 1/2"	5"	6 1/8
			Performa Rubber (Round)	4.06109.559	4.06108.559	Delrin, Prec. Ball, PPBB	7 1/2"	5"	6 1/8
		700	Moldon Rubber (Cast iron core)	4.06109.649.7	4.06108.649.7	Delrin, PPBB	7 1/2"	5"	10 1/2
			Performa Rubber (Flat/Black)	4.06109.459.2	4.06108.459.2	Delrin, Prec. Ball, PPBB	7 1/2"	5"	6 1/8
700	Performa Rubber (Flat/Grey)	4.06109.459	4.06108.459	Delrin, Prec. Ball, PPBB	7 1/2"	5"	6 1/8		
	Polyolefin	4.06109.839	4.06108.839	Delrin, Plain, PPBB	7 1/2"	5"	5 1/2		
900	Hydrotech Water-Resistant TPE Alloy	4.06109.HF9	4.06108.HF9	Delrin, PPBB	7 1/2"	5"	5		
	Polyurethane HI-TECH	4.06109.929	4.06108.929	Delrin, PPBB	7 1/2"	5"	5		
1100	Polyurethane Antimicrobial HI-TECH	4.06109.929G	4.06108.929G	Delrin, PPBB	7 1/2"	5"	5		
	Endura Solid Elastomer	4.06109.839 EN	4.06108.839 EN	Delrin, Prec. Ball, PPBB	7 1/2"	5"	7		
1200	K Solid Polyurethane	4.06109.939 KW	4.06108.939 KW	Delrin, PPBB	7 1/2"	5"	7		
	Maxim	4.06109.539	4.06108.539	Delrin, Bronze, PPBB	7 1/2"	5"	4 3/4		
1200	Moldon Polyurethane (Aluminum core)	4.06109.939	4.06108.939	Delrin, PPBB	7 1/2"	5"	7 1/2		
	Moldon Polyurethane (Cast iron core)	4.06109.949.7	4.06108.949.7	Delrin, PPBB	7 1/2"	5"	10 1/2		
1250	Phenolic	4.06109.339	4.06108.339	Delrin, PPBB	7 1/2"	5"	7		
	V-Groove	4.06109.739	4.06108.739	Delrin, PPBB	7 1/2"	5"	10 1/2		
1250	Cast Iron	4.06109.139	4.06108.139	Delrin, PPBB	7 1/2"	5"	9 3/4		
	CG-MAX Efficiency Wheel™ (Orange)*	4.06109.9NC	4.06108.9NC	Precision Ball Standard	7 1/2"	5"	7 1/2		
1250	CG-MAX Efficiency Wheel™ (Maroon)*	4.06109.9PC	4.06108.9PC	Precision Ball Standard	7 1/2"	5"	7 1/2		
	Performa Rubber (Flat/Conductive)	4.08199.459 COND	4.08198.459 COND	PPBB	9 1/2"	6 1/2"	6 1/4		
500	Performa Rubber (Round/Conductive)	4.08199.559 COND	4.08198.559 COND	PPBB	9 1/2"	6 1/2"	6 1/4		
	Moldon Rubber (Cast iron core)	4.08199.649.7	4.08198.649.7	Delrin, PPBB	9 1/2"	6 1/2"	13 1/4		
600	Performa Rubber (Round)	4.08199.559	4.08198.559	Delrin, Prec. Ball, PPBB	9 1/2"	6 1/2"	6 1/4		
	Performa Rubber (Flat/Black)	4.08199.459.2	4.08198.459.2	Delrin, Prec. Ball, PPBB	9 1/2"	6 1/2"	6 1/4		
675	Performa Rubber (Flat/Grey)	4.08199.459	4.08198.459	Delrin, Prec. Ball, PPBB	9 1/2"	6 1/2"	6 1/4		
	Polyolefin	4.08199.839	4.08198.839	Delrin, Plain, PPBB	9 1/2"	6 1/2"	5 3/4		
900	Hydrotech Water-Resistant TPE Alloy	4.08109.HF9	4.08108.HF9	Delrin, PPBB	9 1/2"	6 1/2"	5 3/4		
	Polyurethane HI-TECH	4.08199.929	4.08198.929	Delrin, PPBB	9 1/2"	6 1/2"	5 3/4		
1000	Polyurethane Antimicrobial HI-TECH	4.08199.929G	4.08198.929G	Delrin, PPBB	9 1/2"	6 1/2"	5 3/4		
	Endura Solid Elastomer	4.08199.839 EN	4.08198.839 EN	Delrin, Prec. Ball, PPBB	9 1/2"	6 1/2"	5 3/4		
1200	K Solid Polyurethane	4.08199.939 KW	4.08198.939 KW	Delrin, PPBB	9 1/2"	6 1/2"	5 3/4		
	CG-MAX Efficiency Wheel™ (Orange)*	4.08199.9NC	4.08198.9NC	Precision Ball Standard	9 1/2"	6 1/2"	8 1/4		
1200	CG-MAX Efficiency Wheel™ (Maroon)*	4.08199.9PC	4.08198.9PC	Precision Ball Standard	9 1/2"	6 1/2"	8 1/4		
	Maxim	4.08199.539	4.08198.539	Delrin, Bronze, PPBB	9 1/2"	6 1/2"	5 1/2		
1250	Moldon Polyurethane (Aluminum core)	4.08199.939	4.08198.939	Delrin, PPBB	9 1/2"	6 1/2"	8 1/4		
	Moldon Polyurethane (Cast iron core)	4.08199.949.7	4.08198.949.7	Delrin, PPBB	9 1/2"	6 1/2"	13 1/4		
1250	Phenolic	4.08199.339	4.08198.339	Delrin, PPBB	9 1/2"	6 1/2"	8 1/2		
	Cast Iron	4.08199.139	4.08198.139	Delrin, PPBB	9 1/2"	6 1/2"	12 1/2		

*CG-MAX wheels available with Precision Ball Bearing only. All 4 Series swivel forks are notched to accommodate four position swivel locks.

Bearing Options

Wheels feature roller bearings in above chart. To order optional bearings, see information to the right.



Roller Bearing
Metal cage roller bearing (Specify **WB29**).
(Example: 4.06109.459 WB29).



Torrington Roller Bearing
Torrington style roller bearing with retainer (Specify **WB19**; Example: 4.06109.459 WB19).



Delrin Bearing
For standard two-piece bearing change 9th digit to "1" (Example: 4.06109.921).
One-piece with steel thrust washers (Specify **WB11**; Example: 4.06109.451 WB11).



Precision Ball Bearing
To order change 8th and 9th digits to "P5" (Example 4.06109.4P5).



Pedestal Precision Ball Bearing (PPBB)
To order change 9th digit to "5" (Example: 4.06109.455.2).



Bronze Bearing
To order, change the 9th digit in model number to "4" (Example: 4.06109.534).

4 Series



TOP PLATE Swivel & Rigid

Series

Capacity up to **800 lbs each**
Narrow 1 1/2" tread width



Consult factory for RoHS requirements on a part specific basis.



Consult the NSF listing page on a part specific basis for NSF requirements.



Features

- Attractive zinc plated finish
- Full double ball hardened raceways
- 1/2" hollow axle with grease zerk and lock nut
- Plastic seal/retainer washer (roller bearing models)
- 1/4" steel top plate for durability
- Permanent rivet kingpin with 5/8" diameter rivet
- Grease fittings: wheel bearing and swivel raceway
- "Colson 45" multi-temp grease lubricates in extreme hot and cold temperatures

Caster Brake

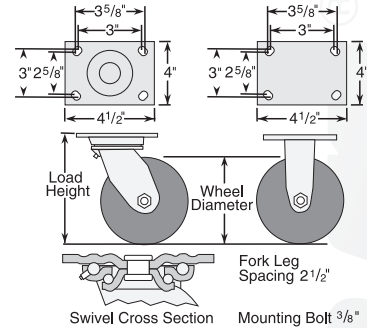


Tread Lock
(See page 87) Available on all swivel casters except 3" diameter models (Specify **BRK1**; Example: 4.06109.819 BRK1).



Tech Lock®
(See page 86-87) Available on all swivel casters except 3" diameter and swivel lock models. Rigid 6" model available (Specify **BRK2**; Example: 4.06109.449 BRK2).

Standard Dimensions



Fork / Wheel Options

NSF Listed For Food Service Industry
Consult factory for details.

Forks Only

To order caster forks only use 1st 6 digits of model numbers (Example: 4.04109).



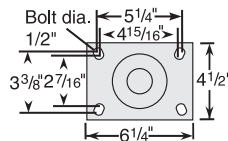
Total Lock
(See page 89) Available on 4", 5", 6" & 8" swivel models (Specify **BRK4**; Example: 4.06109.119 BRK4).



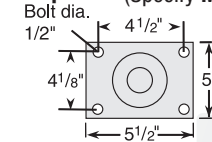
Top Lock
(See page 88) Available on 4", 5", 6" and 8" swivel models (Specify **BRK7**; Example: 4.06109.449 BRK7).

Optional Top Plates

#2 Top Plate (Specify MTG2).

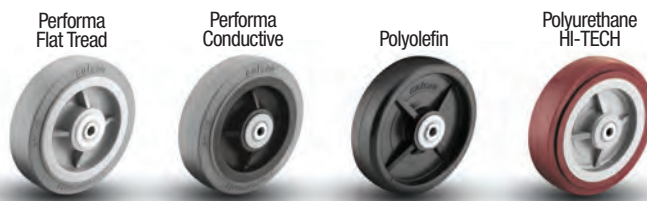


#4 Top Plate (Specify MTG4).



To order optional top plate, add mounting code to Caster Models number (Example: 4.03109.449 MTG2).

Wheel Selection



See the Performa Advantage on Page 55.



DirtBan Swivel Seal
(See page 90) Not available on swivel lock models (Specify **SEAL**; Example: 4.06109.449 SEAL).

Thread Guards
(See page 98) Available on many models (Specify **TG1** for metal or **TG2** for plastic; Example: 4.06109.449 TG2).

Axle/Nut Options
Consult factory.

Lube Options
Consult factory.

Colson 4 Series Casters (1 1/2" tread widths) • Top Plate Swivel & Rigid • Capacity to 800 lbs

Wheel Dia.	Tread Width	Capacity Each (Pounds)	Wheel Descriptions	Swivel Top Plate Roller Bearing Caster Models	Rigid Top Plate Roller Bearing Caster Models	Optional Bearings (Order information below chart)	Load Height	Swivel Radius	Weight lbs (Rigid Deduct 1 lb)
3"	1 1/2"	225	Performa Rubber (Conductive/Flat)	4.03109.449 COND	4.03108.449 COND	PPBB	5 1/8"	3 1/16"	3 1/4
		250	Performa Rubber (Flat/Grey)	4.03109.449	4.03108.449	Delrin, PPBB	5 1/8"	3 1/16"	3 1/4
		300	Polyolefin	4.03109.819	4.03108.819	Delrin, Plain, PPBB	5 1/8"	3 1/16"	3 3/4
			Polyurethane HI-TECH	4.03109.919	4.03108.919	Delrin, PPBB	5 1/8"	3 1/16"	3 1/4
		425	Cast Iron	4.03109.119	4.03108.119	Delrin, PPBB	5 1/8"	3 1/16"	5
		600	Phenolic	4.03109.319	4.03108.319	Delrin, PPBB	5 1/8"	3 1/16"	3 3/4
			Thermo	4.03109.819 HT	4.03108.819 HT	Plain, Bronze	5 1/8"	3 1/16"	4 3/4
4"	1 1/2"	255	Performa Rubber (Conductive/Flat)	4.04109.449 COND	4.04108.449 COND	PPBB	5 5/8"	3 9/16"	3 3/4
		325	Performa Rubber (Flat/Grey)	4.04109.449	4.04108.449	Delrin, PPBB	5 5/8"	3 9/16"	3 3/4
		375	Polyolefin	4.04109.819	4.04108.819	Delrin, Plain, PPBB	5 5/8"	3 9/16"	4
		400	Polyurethane HI-TECH	4.04109.919	4.04108.919	Delrin, PPBB	5 5/8"	3 9/16"	3 1/2
		500	Cast Iron	4.04109.119	4.04108.119	Delrin, PPBB	5 5/8"	3 9/16"	5 1/4
			Phenolic	4.04109.319	4.04108.319	Delrin, PPBB	5 5/8"	3 9/16"	3 3/4
		600	Thermo	4.04109.819 HT	4.04108.819 HT	Plain, Bronze	5 5/8"	3 9/16"	4 3/4
			Maxim	4.04109.519	4.04108.519	Delrin, Bronze, PPBB	5 5/8"	3 9/16"	3 3/4
5"	1 1/2"	280	Performa Rubber (Conductive/Flat)	4.05109.449 COND	4.05108.449 COND	PPBB	6 1/2"	4 1/4"	4 1/8
		350	Performa Rubber (Flat/Grey)	4.05109.449	4.05108.449	Delrin, PPBB	6 1/2"	4 1/4"	4 1/8
		450	Polyolefin	4.05109.819	4.05108.819	Delrin, Plain, PPBB	6 1/2"	4 1/4"	4 1/8
		500	Polyurethane HI-TECH	4.05109.919	4.05108.919	Delrin, PPBB	6 1/2"	4 1/4"	4 1/8
			Cast Iron	4.05109.119	4.05108.119	Delrin, PPBB	6 1/2"	4 1/4"	5 1/2
		600	Phenolic	4.05109.319	4.05108.319	Delrin, PPBB	6 1/2"	4 1/4"	3 3/4
			Thermo	4.05109.819 HT	4.05108.819 HT	Plain, Bronze	6 1/2"	4 1/4"	4 3/4
6"	1 1/2"	300	Performa Rubber (Conductive/Flat)	4.06109.449 COND	4.06108.449 COND	PPBB	7 1/2"	5"	5
		375	Performa Rubber (Flat/Grey)	4.06109.449	4.06108.449	Delrin, PPBB	7 1/2"	5"	5
		500	Polyolefin	4.06109.819	4.06108.819	Delrin, Plain, PPBB	7 1/2"	5"	4 1/8
			Polyurethane HI-TECH	4.06109.919	4.06108.919	Delrin, PPBB	7 1/2"	5"	5
		600	Cast Iron	4.06109.119	4.06108.119	Delrin, PPBB	7 1/2"	5"	6 1/2
			Phenolic	4.06109.319	4.06108.319	Delrin, PPBB	7 1/2"	5"	4 1/4
8"	1 1/2"	350	Performa Rubber (Conductive/Flat)	4.08199.449 COND	4.08198.449 COND	PPBB	9 1/2"	6 1/2"	5 3/4
		500	Performa Rubber (Flat/Grey)	4.08199.449	4.08198.449	Delrin, PPBB	9 1/2"	6 1/2"	5 3/4
		600	Polyolefin	4.08199.819	4.08198.819	Delrin, Plain, PPBB	9 1/2"	6 1/2"	4 1/2
		800	Polyurethane HI-TECH	4.08199.919	4.08198.919	Delrin, PPBB	9 1/2"	6 1/2"	5 3/4

All 4 Series swivel forks are notched to accommodate four position swivel locks.

Bearing Options

Wheels feature roller bearings in above chart. To order optional bearings, see information to the right.



Roller Bearing
Metal cage roller bearing (Specify **WB29**).
(Example: 4.06109.449 WB29).



Delrin Bearing
For standard two-piece bearing change ninth digit to "1" (Example: 4.06109.911).



Pedestal Precision Ball Bearing (PPBB)
To order change 9th digit to "5" (Example: 4.06109.915).



Bronze Bearing
To order, change the 9th digit in model number to "4" (Example: 4.05109.814 HT).

4 Series

Colson D4 Series Casters • Defender Stainless Steel Top Plate Swivel & Rigid • Capacity to 1250 lbs

Wheel Dia.	Tread Width	Capacity Each (Pounds)	Wheel Descriptions	Swivel Top Plate SS Roller Bearing Models	Rigid Top Plate SS Roller Bearing Models	Optional Bearings (order information in below chart)	Load Height	Swivel Radius	Weight (Pounds) Rigid Deduct 1.5 lbs)
4"	2"	300	Performa Conductive (Flat)	D4.04109.459 COND SS WB29	D4.04108.459 COND SS WB29	PPBB	5-5/8"	3-3/8"	5-1/4
		400	Performa (Flat)	D4.04109.459 SS WB29	D4.04108.459 SS WB29	Delrin, Bronze, PPBB	5-5/8"	3-3/8"	5-1/4
			Performa (Round)	D4.04109.559 SS WB29	D4.04108.559 SS WB29	Delrin, Bronze, PPBB	5-5/8"	3-3/8"	5-1/4
		500	Retort Hi-Temp	D4.04109.839 RW SS WB29	D4.04108.839 RW SS WB29	Delrin, Bronze, PPBB	5-5/8"	3-3/8"	5
			Polyolefin	D4.04109.839 SS WB29	D4.04108.839 SS WB29	Delrin, Bronze, PPBB	5-5/8"	3-3/8"	3-3/4
		600	HydroTech	D4.04109.929 HF SS WB29	D4.04108.929 HF SS WB29	Delrin, Bronze, PPBB	5-5/8"	3-3/8"	4-3/4
		700	K Solid Polyurethane*	D4.04109.935 KW SS	D4.04108.935 KW SS	Delrin, Bronze	5-5/8"	3-3/8"	4-1/4
		2"	720	Polyurethane Hi-TECH	D4.04109.929 SS WB29	D4.04108.929 SS WB29	Delrin, Bronze, PPBB	5-5/8"	3-3/8"
	Antimicrobial Hi-TECH			D4.04109.929G SS WB29	D4.04108.929G SS WB29	Delrin, Bronze, PPBB	5-5/8"	3-3/8"	5
	800		Phenolic - High Temp	D4.04109.339 HT SS WB29	D4.04108.339 HT SS WB29	Delrin, Bronze, PPBB	5-5/8"	3-3/8"	5
			Phenolic	D4.04109.339 SS WB29	D4.04108.339 SS WB29	Delrin, Bronze, PPBB	5-5/8"	3-3/8"	5
	900		Maxim Nylon Glass Filled	D4.04109.539 SS WB29	D4.04108.539 SS WB29	Delrin, Bronze, PPBB	5-5/8"	3-3/8"	5
			Hi-Temp Nylon Glass Filled	D4.04109.839 HTBLK SS WB29	D4.04108.839 HTBLK SS WB29	Delrin, Bronze, PPBB	5-5/8"	3-3/8"	5
	1000		Thermo Hi-Temp	D4.04109.839 HT SS WB29	D4.04108.839 HT SS WB29	Delrin, Bronze, PPBB	5-5/8"	3-3/8"	5
			White Nylon	D4.04109.539 WN SS WB29	D4.04108.539 WN SS WB29	Delrin, Bronze, PPBB	5-5/8"	3-3/8"	5
	5"	2"	1250	Endura Solid Elastomer	D4.04109.839 EN SS WB29	D4.04108.839 EN SS WB29	Delrin, Bronze, PPBB	5-5/8"	3-3/8"
Commander HD*				D4.04109.5PN SS	D4.04108.5PN SS	SS Prec. Ball Standard	5-5/8"	3-3/8"	7
325			Performa Conductive (Flat)	D4.05109.459 COND SS WB29	D4.05108.459 COND SS WB29	PPBB	6-1/2"	4-1/8"	5-1/2
			Performa (Round)	D4.05109.559 SS WB29	D4.05108.559 SS WB29	Delrin, Bronze, PPBB	6-1/2"	4-1/8"	5-1/2
500			Performa (Flat)	D4.05109.459 SS WB29	D4.05108.459 SS WB29	Delrin, Bronze, PPBB	6-1/2"	4-1/8"	5-1/2
			Retort Hi-Temp	D4.05109.839 RW SS WB29	D4.05108.839 RW SS WB29	Delrin, Bronze, PPBB	6-1/2"	4-1/8"	5-1/4
650			Polyolefin	D4.05109.839 SS WB29	D4.05108.839 SS WB29	Delrin, Bronze, PPBB	6-1/2"	4-1/8"	4-1/2
			HydroTech	D4.05109.929 HF SS WB29	D4.05108.929 HF SS WB29	Delrin, Bronze, PPBB	6-1/2"	4-1/8"	4-3/4
900		Polyurethane Hi-TECH	D4.05109.929 SS WB29	D4.05108.929 SS WB29	Delrin, Bronze, PPBB	6-1/2"	4-1/8"	5-1/4	
		Antimicrobial Hi-TECH	D4.05109.929G SS WB29	D4.05108.929G SS WB29	Delrin, Bronze, PPBB	6-1/2"	4-1/8"	5-1/4	
2"		1000	Phenolic - High Temp	D4.05109.339 HT SS WB29	D4.05108.339 HT SS WB29	Delrin, Bronze, PPBB	6-1/2"	4-1/8"	5-1/4
			Phenolic	D4.05109.339 SS WB29	D4.05108.339 SS WB29	Delrin, Bronze, PPBB	6-1/2"	4-1/8"	5-1/4
		1200	Maxim Nylon Glass Filled	D4.05109.539 SS WB29	D4.05108.539 SS WB29	Delrin, Bronze, PPBB	6-1/2"	4-1/8"	5-1/4
			White Nylon	D4.05109.539 WN SS WB29	D4.05108.539 WN SS WB29	Delrin, Bronze, PPBB	6-1/2"	4-1/8"	5-1/4
		1250	Endura Solid Elastomer	D4.05109.839 EN SS WB29	D4.05108.839 EN SS WB29	Delrin, Bronze, PPBB	6-1/2"	4-1/8"	5-7/8
			Hi-Temp Nylon Glass Filled	D4.05109.839 HTBLK SS WB29	D4.05108.839 HTBLK SS WB29	Delrin, Bronze, PPBB	6-1/2"	4-1/8"	5-1/4
	1200	K Solid Polyurethane*	D4.05109.935 KW SS	D4.05108.935 KW SS	Delrin, Bronze	6-1/2"	4-1/8"	5	
		Thermo Hi-Temp	D4.05109.839 HT SS WB29	D4.05108.839 HT SS WB29	Delrin, Bronze, PPBB	6-1/2"	4-1/8"	5-1/4	
1250	HD Nylon Glass Filled	D4.05109.839 DT SS WB29	D4.05108.839 DT SS WB29	Delrin, Bronze, PPBB	6-1/2"	4-1/8"	5-1/4		
	Commander HD*	D4.05109.5PN SS	D4.05108.5PN SS	SS Prec. Ball Standard	6-1/2"	4-1/8"	8		
6"	2"	410	Performa Conductive (Flat)	D4.06109.459 COND SS WB29	D4.06108.459 COND SS WB29	PPBB	7-1/2"	4-7/8"	5-3/4
			Performa (Round)	D4.06109.559 SS WB29	D4.06108.559 SS WB29	PPBB	7-1/2"	4-7/8"	5-3/4
		450	Performa (Flat)	D4.06109.459 SS WB29	D4.06108.459 SS WB29	Delrin, Bronze, PPBB	7-1/2"	4-7/8"	5-3/4
			Retort Hi-Temp	D4.06109.839 RW SS WB29	D4.06108.839 RW SS WB29	Delrin, Bronze, PPBB	7-1/2"	4-7/8"	5-1/2
		700	Polyolefin	D4.06109.839 SS WB29	D4.06108.839 SS WB29	Delrin, Bronze, PPBB	7-1/2"	4-7/8"	4-3/4
			HydroTech	D4.06109.929 HF SS WB29	D4.06108.929 HF SS WB29	Delrin, Bronze, PPBB	7-1/2"	4-7/8"	5
		900	Polyurethane Hi-TECH	D4.06109.929 SS WB29	D4.06108.929 SS WB29	Delrin, Bronze, PPBB	7-1/2"	4-7/8"	5-3/4
			Antimicrobial Hi-TECH	D4.06109.929G SS WB29	D4.06108.929G SS WB29	Delrin, Bronze, PPBB	7-1/2"	4-7/8"	5-3/4
	2"	1100	Endura Solid Elastomer	D4.06109.839 EN SS WB29	D4.06108.839 EN SS WB29	Delrin, Bronze, PPBB	7-1/2"	4-7/8"	6
			Thermo Hi-Temp	D4.06109.839 HT SS WB29	D4.06108.839 HT SS WB29	Delrin, Bronze, PPBB	7-1/2"	4-7/8"	5-3/4
		1200	Phenolic - High Temp	D4.06109.339 HT SS WB29	D4.06108.339 HT SS WB29	Delrin, Bronze, PPBB	7-1/2"	4-7/8"	6-1/4
			Phenolic	D4.06109.339 SS WB29	D4.06108.339 SS WB29	Delrin, Bronze, PPBB	7-1/2"	4-7/8"	6-1/4
		1250	Maxim Nylon Glass Filled	D4.06109.539 SS WB29	D4.06108.539 SS WB29	Delrin, Bronze, PPBB	7-1/2"	4-7/8"	5-3/4
			White Nylon	D4.06109.539 WN SS WB29	D4.06108.539 WN SS WB29	Delrin, Bronze, PPBB	7-1/2"	4-7/8"	6-1/4
		1250	Hi-Temp Nylon Glass Filled	D4.06109.839 HTBLK SS WB29	D4.06108.839 HTBLK SS WB29	Delrin, Bronze, PPBB	7-1/2"	4-7/8"	5-3/4
			HD Nylon Glass Filled	D4.06109.839 DT SS WB29	D4.06108.839 DT SS WB29	Delrin, Bronze, PPBB	7-1/2"	4-7/8"	6-1/4
1250	K Solid Polyurethane*	D4.06109.935 KW SS	D4.06108.935 KW SS	Delrin, Bronze	7-1/2"	4-7/8"	5-1/2		
	Commander HD*	D4.06109.5PN SS	D4.06108.5PN SS	SS Prec. Ball Standard	7-1/2"	4-7/8"	9-3/4		
8"	2"	500	Performa Conductive (Flat)	D4.08109.459 COND SS WB29	D4.08108.459 COND SS WB29	PPBB	9-1/2"	6-3/8"	6
			Performa Conductive (Round)	D4.08109.559 COND SS WB29	D4.08108.559 COND SS WB29	PPBB	9-1/2"	6-3/8"	6
		600	Performa (Flat)	D4.08109.459 SS WB29	D4.08108.459 SS WB29	Delrin, Bronze, PPBB	9-1/2"	6-3/8"	6
			Retort Hi-Temp	D4.08109.839 RW SS WB29	D4.08108.839 RW SS WB29	Delrin, Bronze, PPBB	9-1/2"	6-3/8"	6-1/4
		675	Polyolefin	D4.08109.839 SS WB29	D4.08108.839 SS WB29	Delrin, Bronze, PPBB	9-1/2"	6-3/8"	6-1/4
			HydroTech	D4.08109.929 HF SS WB29	D4.08108.929 HF SS WB29	Delrin, Bronze, PPBB	9-1/2"	6-3/8"	5-3/4
		900	Polyurethane Hi-TECH	D4.08109.929 SS WB29	D4.08108.929 SS WB29	Delrin, Bronze, PPBB	9-1/2"	6-3/8"	7
			Antimicrobial Hi-TECH	D4.08109.929G SS WB29	D4.08108.929G SS WB29	Delrin, Bronze, PPBB	9-1/2"	6-3/8"	7
	1200	White Nylon	D4.08109.539 WN SS WB29	D4.08108.539 WN SS WB29	Delrin, Bronze, PPBB	9-1/2"	6-3/8"	8	
		Endura Solid Elastomer	D4.08109.839 EN SS WB29	D4.08108.839 EN SS WB29	Delrin, Bronze, PPBB	9-1/2"	6-3/8"	6-3/4	
	2"	1250	Thermo Hi-Temp	D4.08109.839 HT SS WB29	D4.08108.839 HT SS WB29	Delrin, Bronze, PPBB	9-1/2"	6-3/8"	7
			Phenolic - High Temp	D4.08109.339 HT SS WB29	D4.08108.339 HT SS WB29	Delrin, Bronze, PPBB	9-1/2"	6-3/8"	8
		1250	Phenolic	D4.08109.339 SS WB29	D4.08108.339 SS WB29	Delrin, Bronze, PPBB	9-1/2"	6-3/8"	8
			Maxim Nylon Glass Filled	D4.08109.539 SS WB29	D4.08108.539 SS WB29	Delrin, Bronze, PPBB	9-1/2"	6-3/8"	7
		1250	HD Nylon Glass Filled	D4.08109.839 DT SS WB29	D4.08108.839 DT SS WB29	Delrin, Bronze, PPBB	9-1/2"	6-3/8"	8
			Hi-Temp Nylon Glass Filled	D4.08109.839 HTBLK SS WB29	D4.08108.839 HTBLK SS WB29	Delrin, Bronze, PPBB	9-1/2"	6-3/8"	7
1250		K Solid Polyurethane*	D4.08109.935 KW SS	D4.08108.935 KW SS	Delrin, Bronze	9-1/2"	6-3/8"	6-1/2	
		Commander HD*	D4.08109.5PN SS	D4.08108.5PN SS	SS Prec. Ball Standard	9-1/2"	6-3/8"	10	

*K Solid Polyurethane wheels standard with Pedestal Precision Ball Bearing (PPBB); Commander HD wheels standard with large Precision Ball Bearings.

Bearing Options

Wheels feature stainless steel roller bearings in above chart, unless otherwise noted. To order optional bearings, see information to right.



Stainless Steel Roller Bearing

Temperature Rating: 350°F
The standard bearing option in all above models with **WB29** specification.
High Temp wheel selections are automatically upgraded to stainless steel thrust and retaining washers.



Delrin® Bearing

Temperature Rating: 160°F (increases to 350°F continuous for high-temp wheel selections)
To order, change 10th digit to "1" and remove WB29 from model number.
(Example: D4.06109.921 SS)



Bronze Bearing

Temperature Rating: 525°F
To order, change the 10th digit in model number to "4" and remove WB29 from model number.
(Example: D4.06109.534 SS).



Stainless Steel Pedestal Precision Ball Bearing (PPBB)

Temperature Rating: 250°F (increases to 480°F continuous for high-temp wheel selections)
To order change 10th digit to "5" and remove WB29 from model number.
(Example: D4.06109.925 SS).
Sealed Precision Ball Bearing: Specify "P5". Minimum order quantities apply.

When specifying High Temp wheels: Delrin bearing selections are automatically upgraded to high temp nylon bearings (350°F continuous bearing rating); Precision Ball bearing selections are upgraded to high temp precision ball bearings (480°F continuous bearing rating); and Roller Bearing models are upgraded to include stainless steel thrust and retaining washers.

D4 Series



Consult factory for RoHS requirements on a part specific basis.

4 Series

BUSINESS MACHINE Swivel
Capacity up to **1200 lbs each**



700 lb model



500 lb model



1200 lb model



1500 lb model

Features

- Corrosion resistant zinc finish
- Hardened double ball raceways
- Operating temperature rating -45°F to 180°F
- Ultra-tough, thermoplastic wheel resists hard impacts and supports high dynamic load

Typical Applications

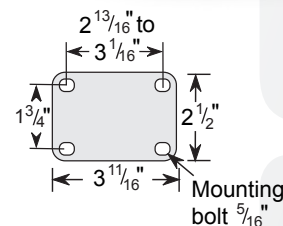
Vending machines, computer racks, server cabinets or anywhere overall load height is restricted

Performance Options

Consult factory for rigid, brake and additional finish options

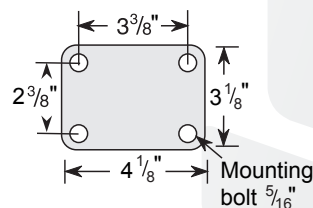
Business Machine Casters • 500 lb Top Plate

Wheel Dia.	Tread Width	Capacity Each (Pounds)	Wheel Descriptions	Wheel Bearing	Swivel Top Plate Caster Models	Load Height	Swivel Radius	Weight lbs
3"	1 ¹³ / ₁₆ "	500	Glass Filled Nylon	Roller	S4.3305.351	4 ¹ / ₈ "	2 ³ / ₄ "	2 ¹ / ₄



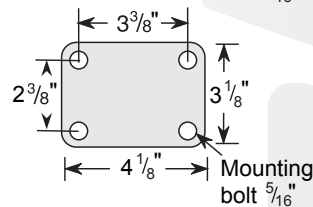
Business Machine Casters • 700 lb Top Plate

Wheel Dia.	Tread Width	Capacity Each (Pounds)	Wheel Descriptions	Wheel Bearing	Swivel Top Plate Caster Models	Load Height	Swivel Radius	Weight lbs
3"	1 ¹³ / ₁₆ "	700	Glass Filled Nylon	Roller	S4.3307.351	3 ³¹ / ₃₂ "	2 ³ / ₄ "	2 ¹ / ₂



Business Machine Casters • 1200 lb Top Plate

Wheel Dia.	Tread Width	Capacity Each (Pounds)	Wheel Descriptions	Wheel Bearing	Swivel Top Plate Caster Models	Load Height	Swivel Radius	Weight lbs
3"	1 ¹³ / ₁₆ "	1200	Glass Filled Nylon	Roller	S4.3312.351	4 ¹ / ₈ "	2 ¹ / ₂ "	3



Business Machine Casters • 1500 lb Top Plate

Wheel Dia.	Tread Width	Capacity Each (Pounds)	Wheel Descriptions	Wheel Bearing	Swivel Top Plate Caster Models	Load Height	Swivel Radius	Weight lbs
3"	1 ¹³ / ₁₆ "	1500	Glass Filled Nylon	Roller	S4.3315.351	4 ¹ / ₈ "	2 ¹ / ₂ "	3

